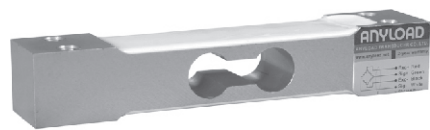
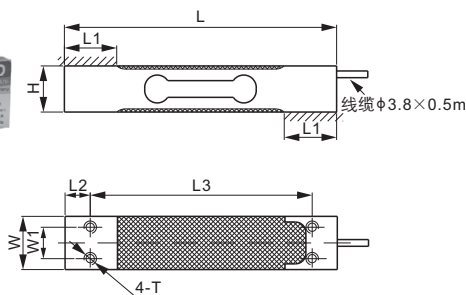


108BA

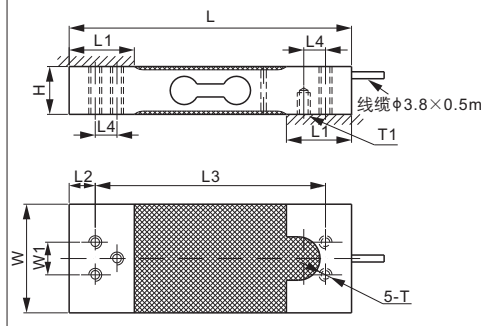
铝合金



量程: 3-75kg



量程: 100kg; 150kg



尺寸

| 量程 | H | L | L1 | L2 | L3 | L4 | W | W1 | T | T1 |
|----------------------------|------|-------|------|------|-------|------|------|------|----|-----------|
| kg/mm | | | | | | | | | | |
| 3-30 | 22.0 | 130.0 | 25.0 | 12.0 | 106.0 | - | 25.4 | 15.0 | M6 | - |
| 35 | 22.0 | 130.0 | 25.0 | 12.0 | 106.0 | - | 30.0 | 15.0 | M6 | - |
| 40 | 22.0 | 130.0 | 25.0 | 12.0 | 106.0 | - | 38.5 | 15.0 | M6 | - |
| 50; 60; 75 | 22.0 | 130.0 | 30.0 | 12.0 | 106.0 | - | 38.5 | 15.0 | M6 | - |
| 100; 150 | 22.0 | 130.0 | 30.0 | 12.0 | 106.0 | 10.0 | 50.0 | 15.0 | M6 | M6 深 10 |
| lb/inches (由上述尺寸转换) | | | | | | | | | | |
| 6.61-66.14 | 0.87 | 5.12 | 0.98 | 0.47 | 4.17 | - | 1.00 | 0.59 | M6 | - |
| 77.16 | 0.87 | 5.12 | 0.98 | 0.47 | 4.17 | - | 1.18 | 0.59 | M6 | - |
| 88.18 | 0.87 | 5.12 | 0.98 | 0.47 | 4.17 | - | 1.52 | 0.59 | M6 | - |
| 110.23; 132.28; 165.35 | 0.87 | 5.12 | 1.18 | 0.47 | 4.17 | - | 1.52 | 0.59 | M6 | - |
| 220.46; 330.69 | 0.87 | 5.12 | 1.18 | 0.47 | 4.17 | 0.39 | 1.97 | 0.59 | M6 | M6 深 0.39 |

技术参数

| | | | |
|------|----------------|----------|---|
| 灵敏度 | 2.0 mV/V ± 10% | 额定激励电压 | 10V (15V 最大) |
| 零位输出 | ± 0.02 mV/V | 推荐最大台面尺寸 | 400 × 400 mm |
| 非线性 | < ± 0.017% | 绝缘阻抗 | > 2 [50V DC] GΩ |
| 重复性 | < ± 0.017% | 正常工作温度范围 | -10°C - 40°C / 14°F - 104°F |
| 滞后误差 | < ± 0.017% | 安全极限载荷 | 150% 满量程 |
| 蠕变 | < ± 0.023% | 破坏极限载荷 | 300% 满量程 |
| 输入阻抗 | 415Ω ± 15 | 密封方式 | 密封 / IP66 |
| 输出阻抗 | 350Ω ± 3 | 接线方式 | Exc+ 红 Exc- 黑 Sig+ 绿 Sig- 白 屏蔽线 |
| 原材料 | 铝合金 | | |

货号

| 量程 | 货号 | 毛重(kg) |
|----------------|---------------|--------|
| 3kg | 108BA-3kg | 0.2 |
| 6kg | 108BA-6kg | 0.2 |
| 7kg | 108BA-7kg | 0.2 |
| 10kg | 108BA-10kg | 0.2 |
| 15kg | 108BA-15kg | 0.2 |
| 20kg | 108BA-20kg | 0.2 |
| 30kg | 108BA-30kg | 0.2 |
| 35kg | 108BA-35kg | 0.2 |
| 40kg(宽=38.5mm) | 108BA-40kg | 0.2 |
| 40kg(宽=30mm) | 108BA-W1-40kg | 0.2 |
| 50kg | 108BA-50kg | 0.26 |
| 60kg | 108BA-60kg | 0.26 |
| 75kg | 108BA-75kg | 0.26 |
| 100kg | 108BA-100kg | 0.35 |
| 150kg | 108BA-150kg | 0.35 |

可互换产品

| 制造商 | 型号 |
|------------------------|---------------|
| Coti Global | CG-22 |
| Mettler-Toledo | MT1022 |
| HBM | PW6C* |
| HBM | PW6K |
| Rice Lake | RL1521A |
| Vishay Celtron | LPS ME 6-35kg |
| Vishay TedeA-Huntleigh | 1022 |

*PW6C的灵敏度为2.2 ± 0.2% mV/V

可 选

■ 1米线缆

NTEP 1:5 000 Class III, Single Cell

6kg-40kg: OIML MAA C4, Y=15 000;
50kg-150kg: OIML MAA C5, Y=12 300